

Biological Microscope

MC100 "Tulip"

MC100BAT "Snowdrop"

MCX100 "Daffodil"

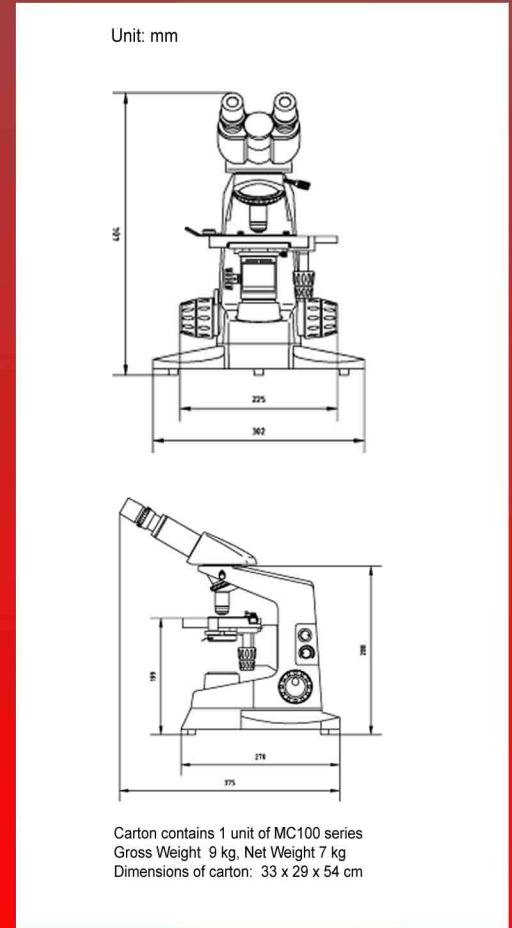


Microscopes

Specifications

		MC100 "Tulip"	MC100BAT "Snowdrop"	MCX100 "Daffodil"
Magnification Range	40x - 1000x	•	•	•
Microscope Body	Sturdy, 270 x 250 mm base with supportive rubber feet	•	•	•
Nosepiece	Quadruple, forward-turned mechanism with multiple ball bearings, elastic nosepiece grip-ring	•	•	
	Quadruple, reverse-angle mechanism with multiple ball bearings, elastic nosepiece grip-ring			•
Head	Binocular Siedentopf Head, 30° inclined, 360° rotatable, interpupillary distance 55 – 75 mm, provided with Anti-Fungus Treatment	•	•	•
Stage	Double layer mechanical specimen stage with low position, coaxial coarse and calibrated fine focus control with graduation reading 2 microns per division. Total focusing range 40 mm, safety stop unit	•	•	•
Condenser	Abbé brightfield condenser, n.A. 1.25, integrated iris diaphragm and filter tray	•	•	•
Eyepieces	WF 10x/18 widefield	•	•	•
Objectives	ACHRO 4x/0.10			
	ACHRO 10x/0.25	•	•	
	ACHRO 40x/0.65, spring loaded			
	ACHRO 100x/1.25 oil, spring loaded			
	ICO Plan 4x/0.10			•
ICO Plan 10x/0.25				
ICO Plan 40x/0.65, spring loaded				
ICO Plan 100x/1.25 oil, spring loaded				
Illumination	Power supply in-built, 6V 20W halogen bulb adjustable for 110/220V, 50/60Hz.	•		•
	LED lamp, powered by LITHIUM battery or alternative by DC9V power supply		•	
Power Cord	Detachable	•	•	•
Focusing Level	Adjustable	•	•	•
CA Tension Control	Adjustable	•	•	•
Accessories	Dust cover, blue filter, immersion oil, instruction manual, fuses, 2 pcs. PHILIPS 6V 20W halogen bulbs	•		•
	Dust cover, white filter, immersion oil, instruction manual, power supply for battery recharging and mains operation		•	
Options	Aluminium case, different eyepieces, phototube, phasecontrast and darkfield attachment available. Eyepieces security lockable.	•	•	•

Dimensional Diagram



Microscope design developed and patented by Micros Austria. Specifications and equipment are subject to change without any obligation on the part of the manufacturer



RMS
Member of
Royal Microscopy Society

micros Austria Headquarter

Breitenfurter Strasse 38
A-1120 Vienna / AUSTRIA
Phone: +43/1/802 72 70
Fax: +43/1/802 72 71
E-mail: office@micros.at
www.micros.at

micros Russia, 123610 Moscow

World Trade Center Moscow
Krasnopresnenskaya nab. 12
Phone: +7/095/967 07 25
Fax: +7/095/667 07 26
www.micros-at.ru

We are here for you: